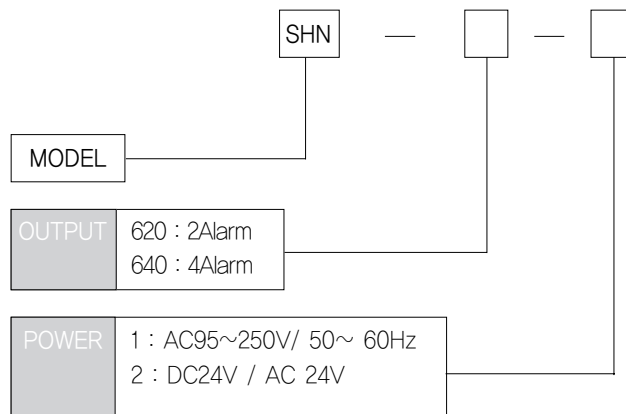


PROGRAMMABLE CONVERTER

SHN-600



MODEL & SUFFIX CODE SELECTION



- Universal input mode (mA, mV, V, T/C, RTD)
- It is realized hi effectiveness and hi accuracy use by 16bit AD converter.
- It contains peak hold function so possible to use various application.
- Contain burnout function that give high output and display warning message when sensor line was disconnected by accident or other reasons.

GENERAL SPECIFICATIONS

Power Supply	DC 24V Type AC 24V Type AC Type	DC18V ~ 30V, (ripple 10%)80mA AC12V ~ 26V(50~60Hz), 3VA AC95~250V/ 50~ 60Hz
Display Accuracy	-9999~9999, 7Segment 4 Digit ±0.2% Full Scale, ±1 Digit (25°C ±5°C)	
Input Impedance	V Type Pt100 Ω, T/C Type	400KΩ 1M Ω
Sampling cycle	V Type Pt100 Ω, T/C Type	200ms 400ms
CMRR(Common Mode Rejection Ratio)	140dB or more	
NMRR(Normal Mode Rejection Ratio)	50dB or more	
Sensor Power	DC 24V / 30mA (±5% or less)	
Temp Coefficient	±0.015% / °C	
Insulation Resistance	Greater then 100M Ω with DC500V	
Dielectric Strength	Input - Power Output - Power GND - Power	AC2000V AC1000V 1 minute
Operating Temperature / Humidity	-20~60°C / 90% (N.C)	
Storage Temperature / Humidity	-20~80°C / 95% (N.C)	
Dimensions	W50 × H85 × D133(mm)	
Case Material	ABS Resin (black)	
Weight	about 400g	
Mounting	Wall & Rail mounting	

MULTI RANGE INPUT

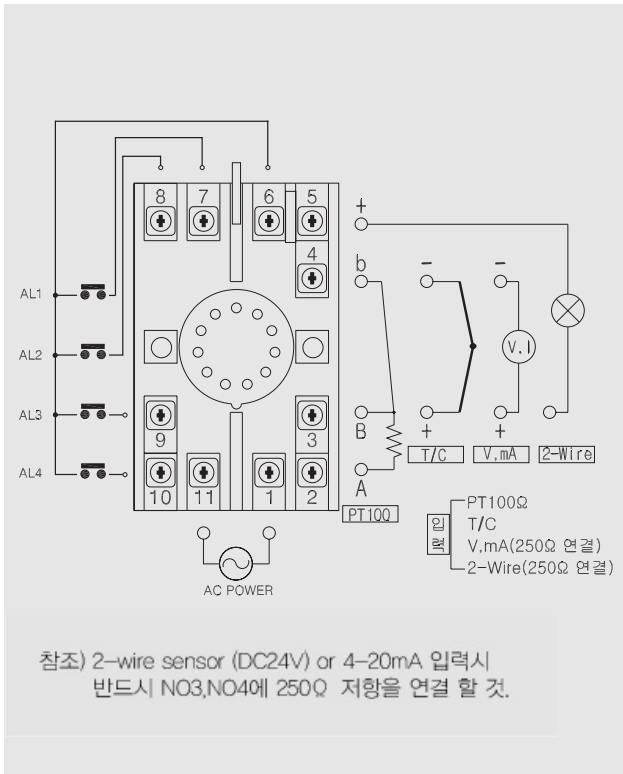
Free input selection by code

Input	Range of input and scale	MIN Span	Message
T/C	R (PR 13%)	0~1750°C	300.0°C
	K (CA)	-200~1350°C	300.0°C
	T/C E (CRC)	-200.0~700.0°C	200.0°C
	J (IC)	-200.0~800.0°C	200.0°C
	T (CC)	-200.0~400.0°C	50.0°C
RTD	RTD Pt100 Ω	-200.0~800.0°C	50.0°C
	Pt100 Ω (JIS)	-200.0~500.0°C	50.0°C
mA	0~20.0mA(-9999~9999)		nA
mV	-50.0~50.0mV(-9999~9999)		nV
V	-10.00~10.00V(-9999~9999)		u
2wire	4~20mA(-9999~9999)		2ur

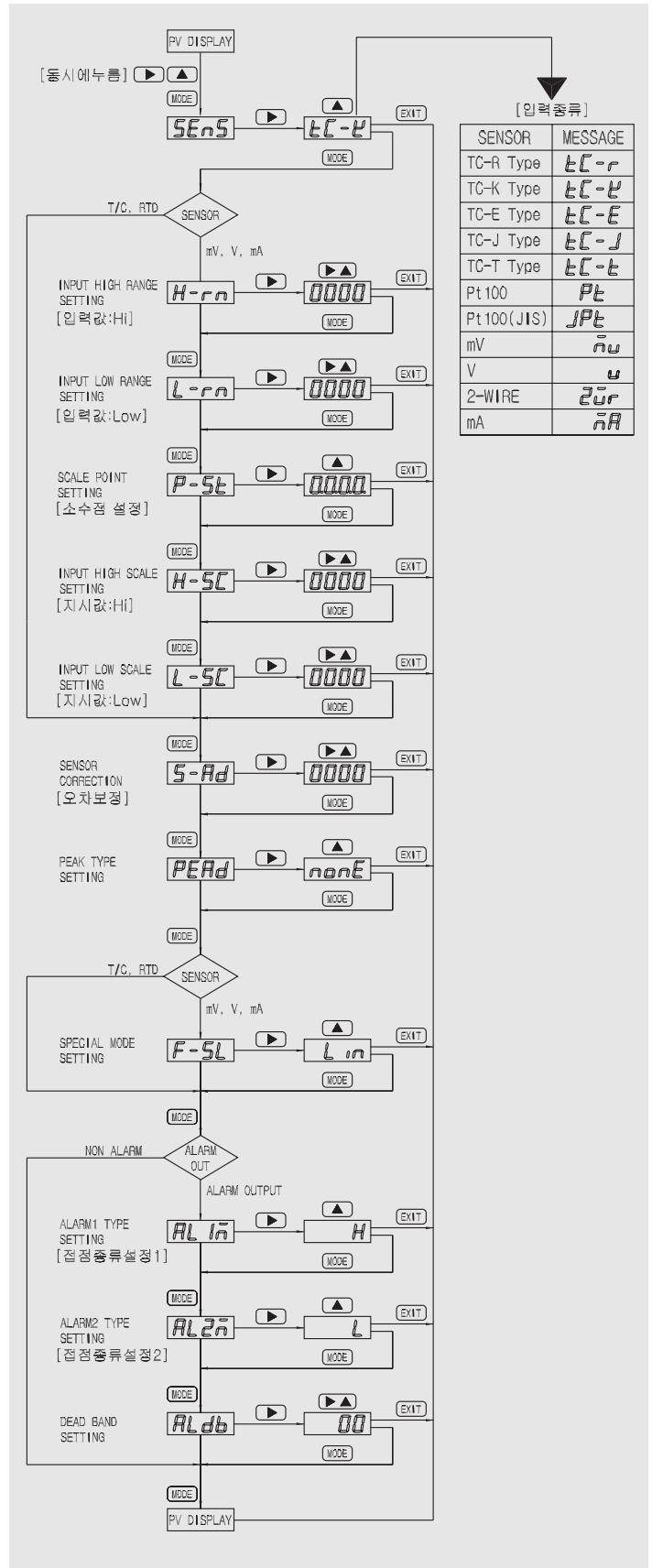
SIGNAL CONVERTER

SHN-600

CONNECTION EXAMPLE



Program Setting(설정방법)



PROGRAM CHART

Alarm Setting(운전방법)

