

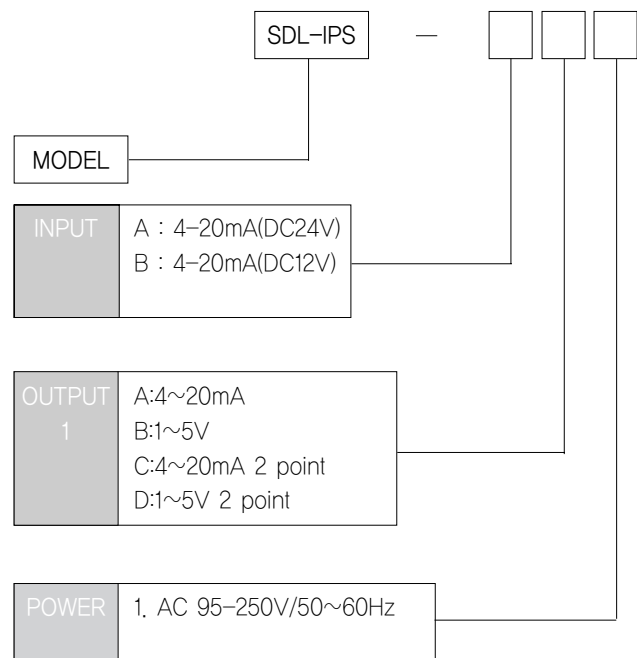
CURRENT LOOP SUPPLY

SDL-IPS



- Compact Size. 4 Digit LCD Display.
- It is realized hi effectiveness and hi accuracy use by 16bit AD converter.
- It is contains peak hold function so possible to use warious application.
- Contain burnout function that give high output and display warning message when sensor line was disconnected by accident or other reasons.

MODEL & SUFFIX CODE SELECTION

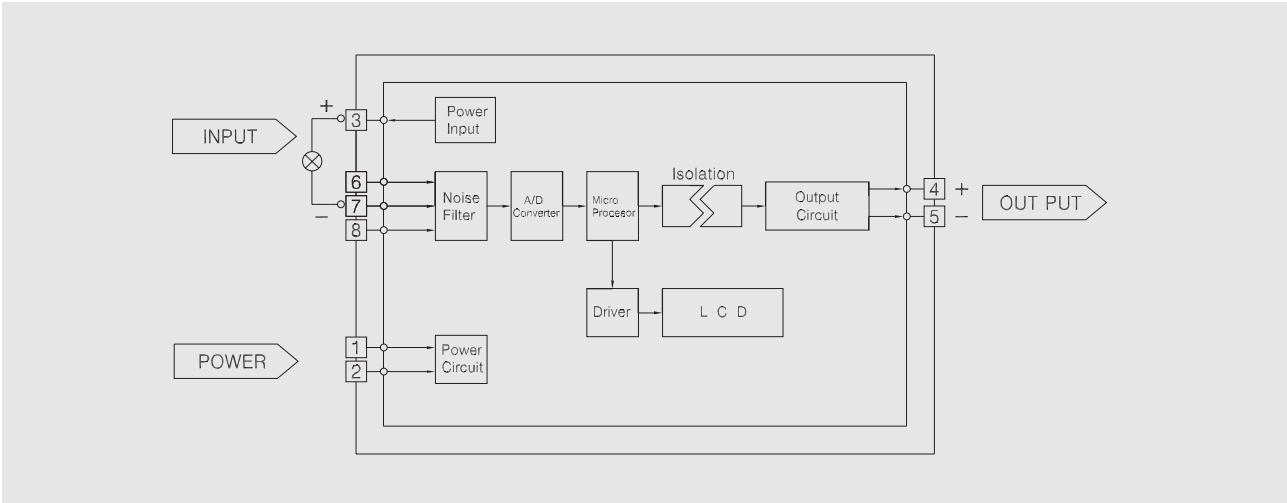


GENERAL SPECIFICATIONS

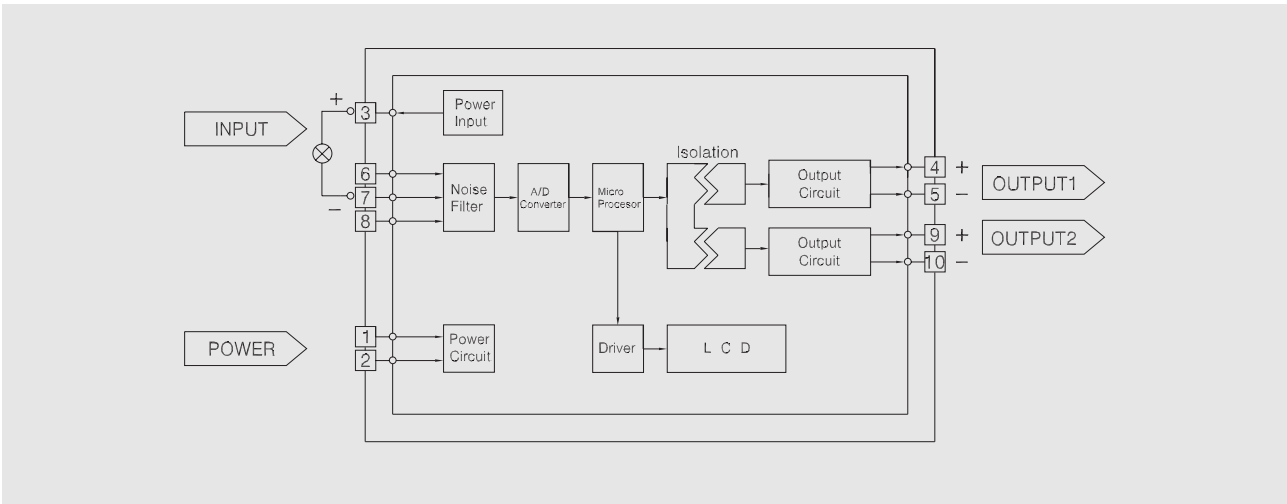
Isolation/Type	Input to output to power/Transformer isolation type		
Power Supply	AC 95VA~250V(50~60Hz ±10%)		
Accuracy	±0.1%(Max)		
Temp Coefficient	±0.015% / °C		
Linearity	±0.02% F.S		
Insulation Resistance	Greater than 100MΩ with DC 500V		
Dielectric Strength	Input - Power	AC 2500V	1 minute
	Input - Output		
	GND - Power	AC 1000V	
Overrange Output	approx.-10% ~ 110% at DC 1~5V ±5%		
Response Time	≤0.5 sec (0~90%)		
Operating Temperature/Humidity	-20~60°C / 90%(N,C)		
Storage Temperature/Humidity	-20~80°C / 95%(N,C)		
Dimensions	W34xH105xD100(mm)		
Case Material	ABS Resin (black or Gray)		
Weight	about 200g		
Mounting	Din Rail mounting		

BLOCK DIAGRAM

1 Point Output



2 Point Output



DIMENSIONS(unit :mm)

