

PROGRAMMABLE CONVERTER

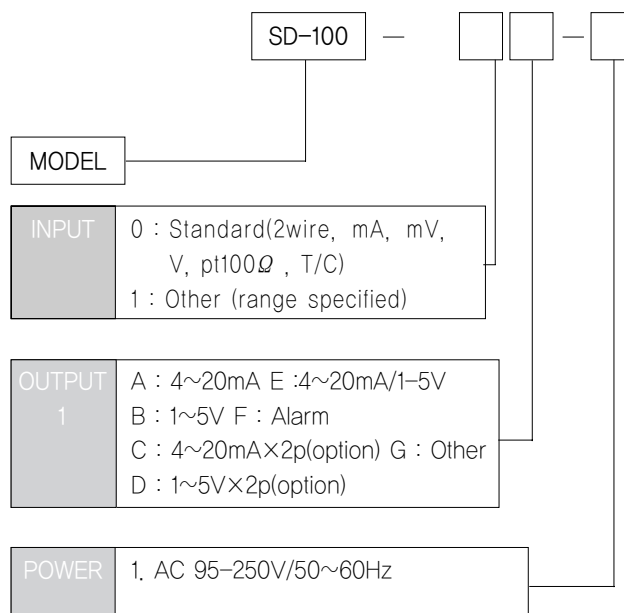
SD-100



FEATURE

- Universal input mode (2wire, mA, mV, V, T/C, RTD)
- It is realized hi effectiveness and hi accuracy use by 16bit AD converter.
- It contains peak hold function so possible to use various application.
- Contain burnout function that give high output and display warning message when sensor line was disconnected by accident or other reasons.

MODEL & SUFFIX CODE SELECTION



GENERAL SPECIFICATIONS

| | | | |
|--------------------------------|---|---------|----------|
| Power Supply | AC 95V~250V(50~60Hz ±10%) | | |
| Isolation type | Input to Output to Power / Transformer Isolation type | | |
| Accuracy | ±0.1%(Max) | | |
| Temp Coefficient | ±0.015%/°C | | |
| Linearity | ±0.02% F.S | | |
| Insulation Resistance | Greater than 100M Ω with DC 500V | | |
| Dielectric Strength | Input - Power | AC2000V | 1 minute |
| | Output1 - Power | | |
| | GND - Power | | |
| Overrange Output | approx -10%~110% at DC 1~5V ±5% | | |
| Response Time | 0.5 sec (0~90%) | | |
| Operating Temperature/Humidity | -20~60°C/90%(N.C) | | |
| Storage Temperature/Humidity | -20°C~80°C/95%(N.C) | | |
| Dimensions | W34×H105×D100(mm) | | |
| Case Material | ABS Resin(Black or Grey) | | |
| Weight | about 200g | | |
| Mounting | Din Rail mounting | | |

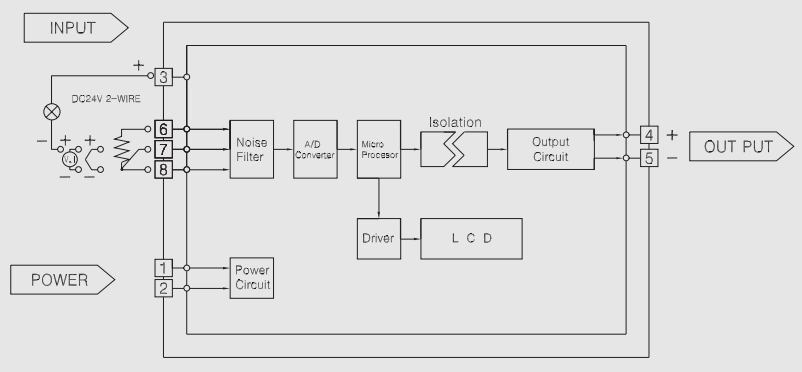
MULTI RANGE INPUT

Free input selection by code

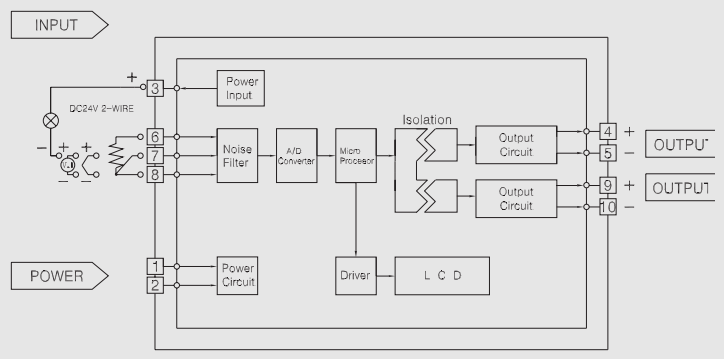
| Input | | Range of input and scale | MIN Span | Message |
|-------|---------------|---------------------------|----------|---------|
| T/C | R (PR 13%) | 0~1750°C | 300.0°C | tC-r |
| | K (CA) | -200~1350°C | 300.0°C | tC-k |
| | T/C E (CRC) | -200.0~700.0°C | 200.0°C | tC-E |
| | J (IC) | -200.0~800.0°C | 200.0°C | tC-J |
| | T (CC) | -200.0~400.0°C | 50.0°C | tC-t |
| RTD | RTD Pt100 Ω | -200.0~800.0°C | 50.0°C | Pt |
| | Pt100 Ω (JIS) | -200.0~500.0°C | 50.0°C | JPt |
| 2wire | mA | 0~20.0mA(-9999~9999) | | mA |
| | mV | -50.0~50.0mV(-9999~9999) | | mV |
| | V | -10.00~10.00V(-9999~9999) | | V |
| | | 4~20mA(-9999~9999) | | 2w |

BLOCK DIAGRAM

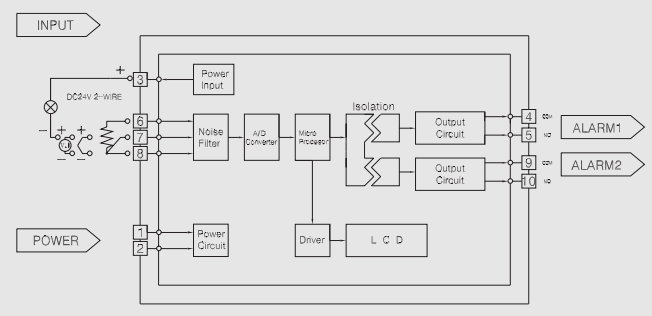
1 Point Output



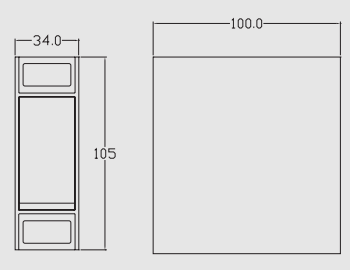
2 Point Output



Alarm Output



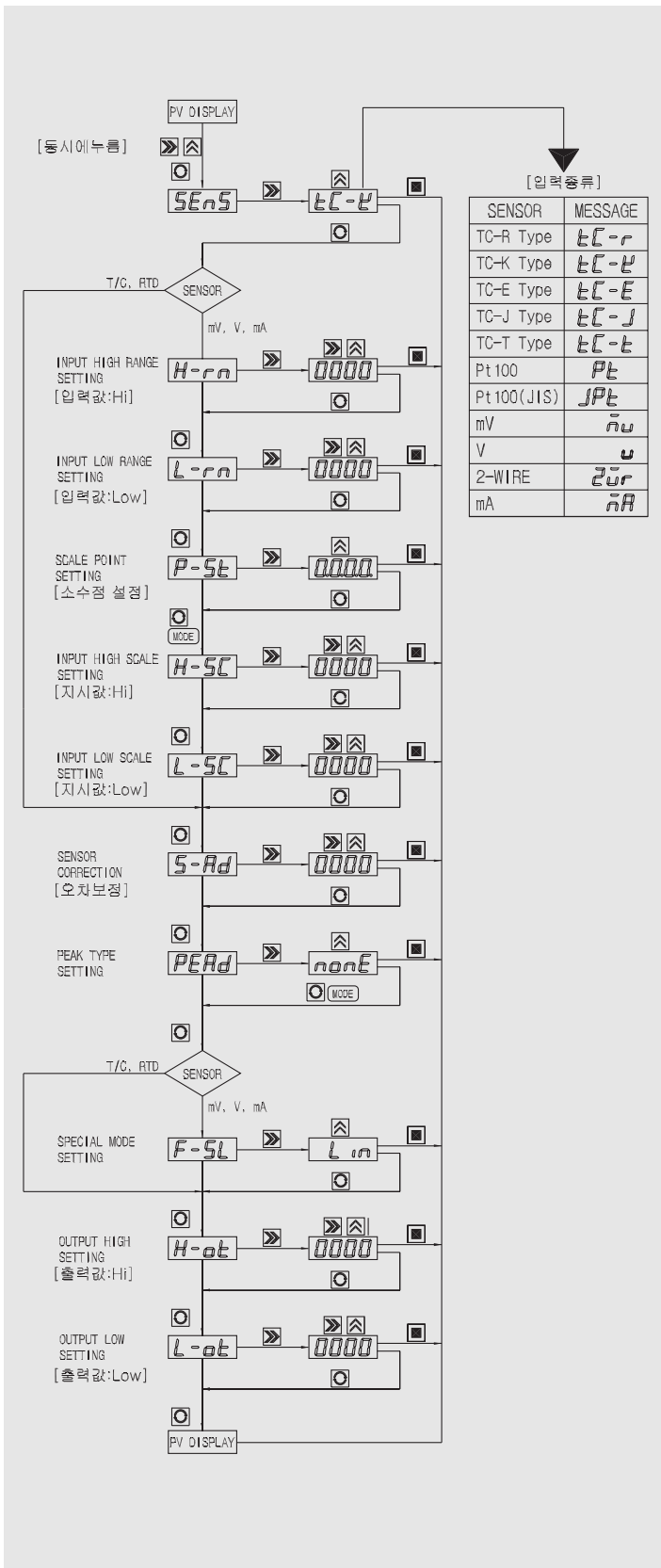
DIMENSIONS(unit :mm)



SIGNAL CONVERTER

SD-100

설정방법



설정방법(Alarm Output)

